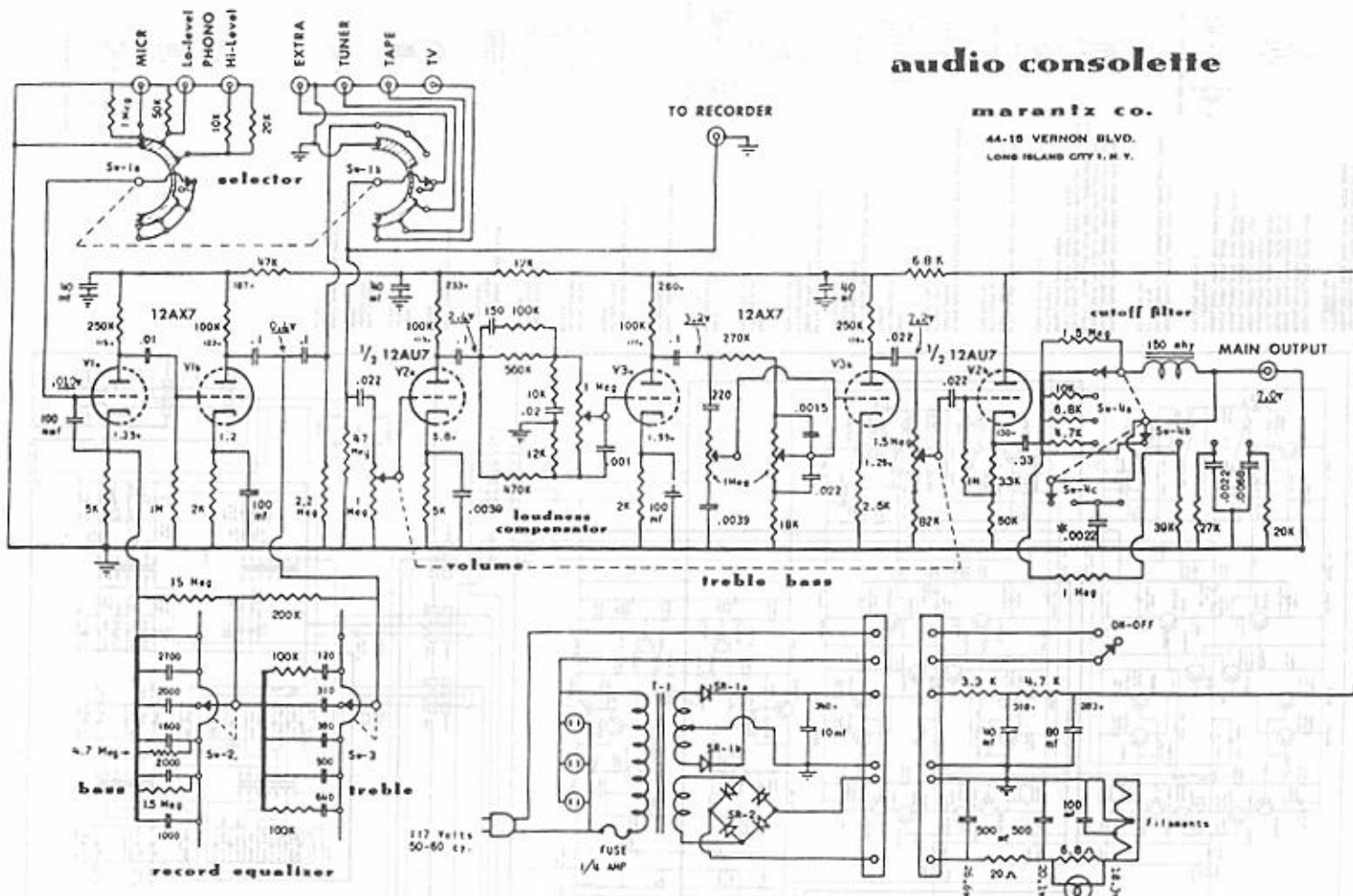


audio console

marantz co.

44-15 VERNON BLVD.
LONG ISLAND CITY 1, N. Y.



D. C. volts are approximate as measured with a V.T.V.M. after 30 min. warm up.

Underlined figures are approximate A. C. test voltages measured with an A. C. amplifier type V.T.V.M. and are based on a .010 volt, 1000 cycle signal into microphone input with volume control maximum and other controls set for flat.

* Where shielded lead to each amplifier exceeds 15-20 feet (about 500 mft.), additional capacitance will lower the filter cutoff frequencies. This can be compensated for by reducing the value of this capacitor by the amount of the lead capacitance.

400 Batts